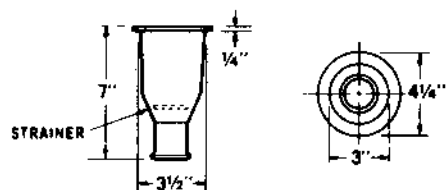


# CUP SINKS

**SCHOTT**  
SCIENTIFIC GLASS, INC.

## 6616—BEADED OUTLET 3" HEMISPHERICAL

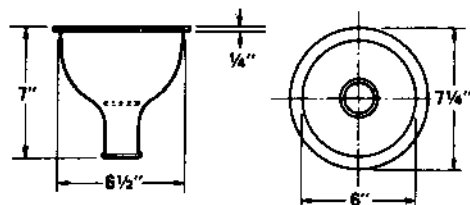


No. 6724, 2" sink strainer furnished with all cup sinks. Use No. 6655 adapter coupling (2 x 1 1/2") on plain end outlets to connect to 2" expanded end traps or fittings, or No. 6661 coupling to connect to 1 1/2" beaded end pipe or fitting.

Art. No.

6616- 3000

## 6617—BEADED OUTLET 6" HEMISPHERICAL



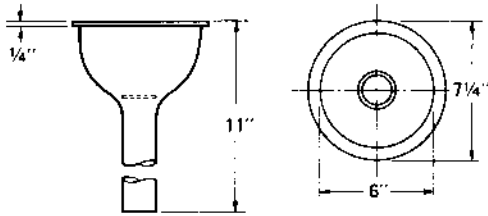
Art. No.

6617- 6000

Use catalog dimensions for piping layout as gasket thickness allowance is included.

† Manufactured per order. Not returnable.

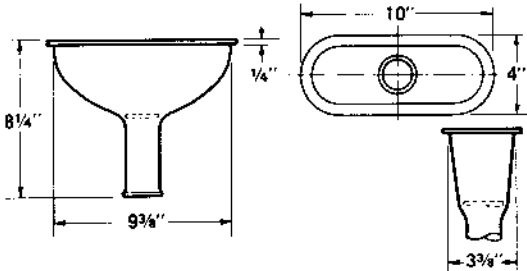
**6617P—PLAIN END OUTLET 6" HEMISPHERICAL**



Art. No.

6617P- 6011

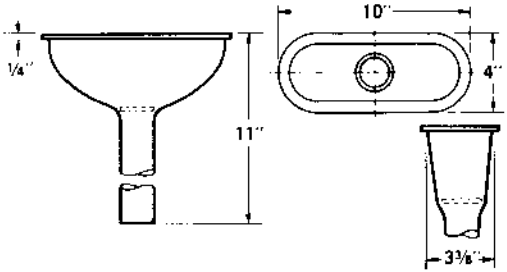
**6618—BEADED OUTLET 3" x 9" OVAL**



Art. No.

6618- 3900

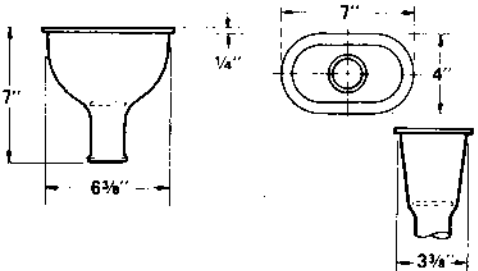
**6618P—PLAIN END OUTLET 3" x 9" OVAL**



Art. No.

6618P- 3911

**6619—BEADED OUTLET 3" x 6" OVAL**

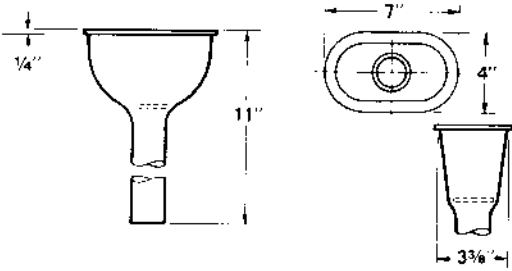


Art. No.

6619- 3600

Use catalog dimensions for piping layout as gasket thickness allowance is included.  
 †Manufactured per order. Not returnable.

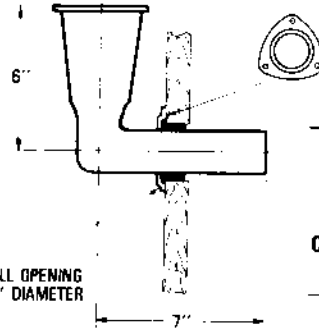
## 6619P—PLAIN END OUTLET 3" x 6" OVAL



Art. No.

6619P- 3611

## 6627—3" x 6" OVAL HORIZONTAL, WALL MOUNTED CUP SINK 1 1/2" PLAIN END OUTLET



Art. No.

6627- 3600 †

### Horizontal Outlet

- No. 6621 cup sink oval (3x6)
- No. 6724 2" sink strainer
- No. 7150 2" flange
- No. 7204 insert (2x1 1/2)

WALL OPENING  
2 1/4" DIAMETER

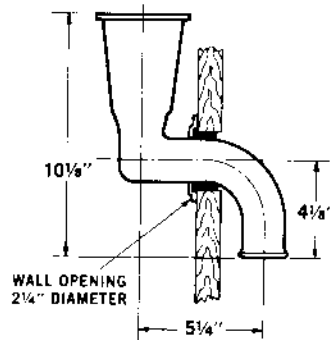
### Components

Art. No.

6621- 3600 †  
6724- 2000 †  
7150- 2000 †  
7204- 2015 †

Mounting bolts or screws to be furnished by installer.  
For No. 6627 assembly use No. 6655 adapter coupling (2 x 1 7/8") on outlet to connect to 2" expanded inlet.

## 6628—3" x 6" OVAL VERTICAL, 1 1/2" OUTLET WALL MOUNTED CUP SINK



Art. No.

6628- 3600 †

### Vertical Outlet

- No. 6629 oval cup sink (3x6)
- No. 6724 2" sink strainer
- No. 7150 2" flange
- No. 7204 insert (2x1 1/2)

WALL OPENING  
2 1/4" DIAMETER

### Components

Art. No.

6629- 3600 †  
6724- 2000 †  
7150- 2000 †  
7204- 2015 †

Mounting bolts or screws to be furnished by installer.  
For No. 6628 assembly use No. 6650 1 1/2" size KIMAX coupling on outlet.

## 6724—SINK STRAINER (ALL CUP SINKS)

Size

Art. No.

1 1/2 6724- 1500  
2 6724- 2000